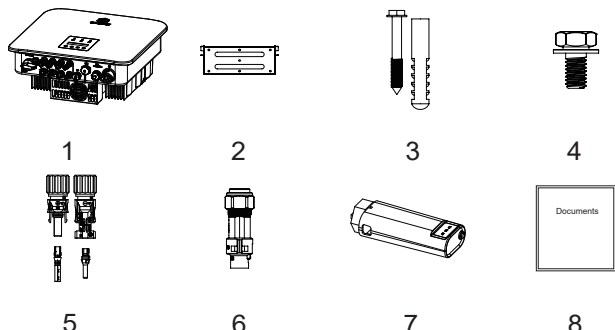


Quick Installation Guide

EET5-20K-M1

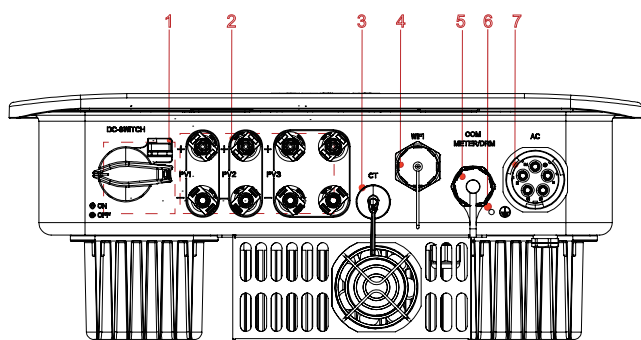
① Overview

1.1 Scope of Delivery



No.	Description	Quantity
1	Inverter	1
2	Wall Bracket	1
3	Expansion Screws	3
4	Fastening Screws	3
5	DC Connectors	3/4 Pairs
6	AC Connector	1
7	WiFi/GPRS Stick	1
8	Documents	1

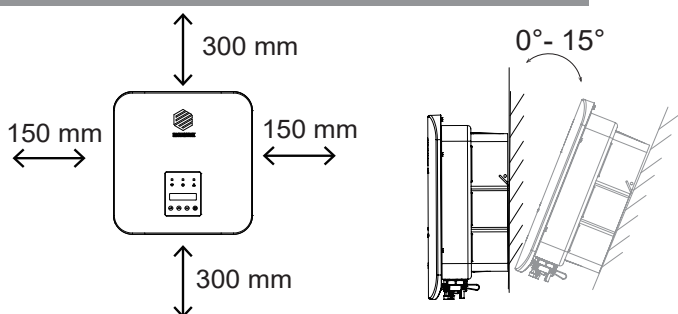
1.2 Port Description



No.	1	2	3	4	5	6	7
Name	DC Switch	PV Ports	CT Port	Wifi/4G	COM/Meter/DRM	Grounding Port	AC Port

② Mechanical Installation

2.1 Installation Requirement



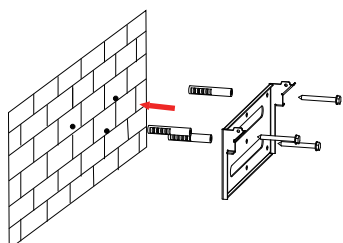
- 1) A minimum 150 mm clearance should be kept between two inverters and a minimum 300 mm clearance between inverters and the ground.
- 2) Install inverter vertically or with a backward tilt within 15°.



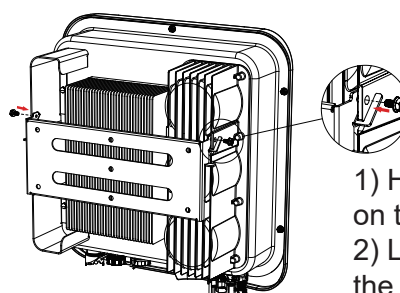
Warning

Do not select locations storing flammable material, which may cause fire or explosion!

2.2 Mounting

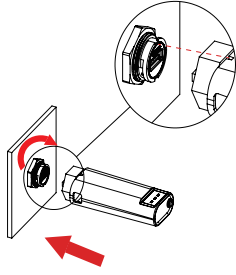


- 1) Drill 3 mounting holes of about 4 cm deep with a 10 mm drill bit
- 2) Insert expansion tubes into holes
- 3) Fix the bracket on the wall with screws



- 1) Hang the inverter on the bracket
- 2) Lock the inverter to the bracket with screws

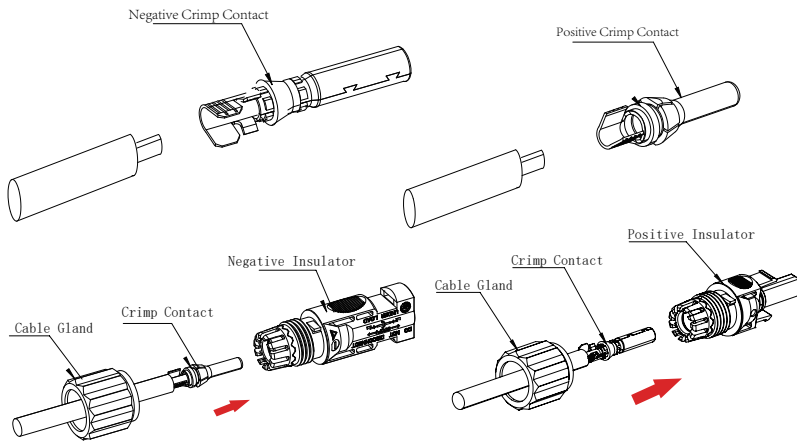
2.3 Wifi/GPRS Stick Logger Installation



- 1) Plug the stick to the Wifi port on the inverter
- 2) Rotate the front operative part of the stick clockwise till the secure connection of the stick.

③ Electrical Connection

3.1 Assemble DC connectors

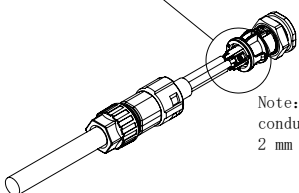
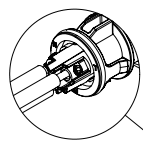


3.2 Install DC connectors to Inverters

- 1) Turn the Grid Supply Main Switch OFF.
- 2) Turn the DC switch OFF.
- 3) Connect the DC connectors to the Inverter, small click confirms connection.

3) Connect wires to the Terminal Block:

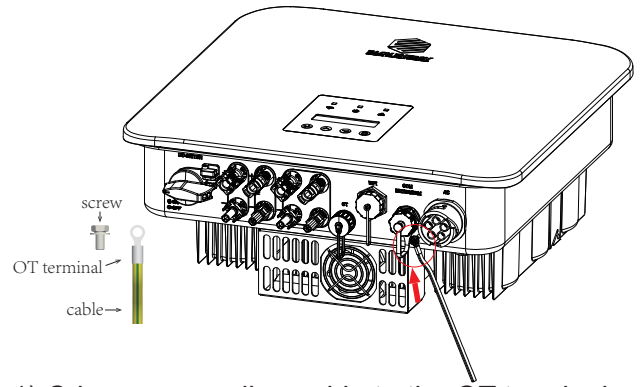
insert yellow green wire to the grounding (PE) terminal, red or brown to live line (L) terminal and blue or black to zero line (N) terminal; screw up screws on the Terminal Blocks with socket head wrench and pull back the wires to ensure firm connection.



socket head wrench

Note: Insert the wires to corresponding conductors in the terminal block with a 2 mm wide socket head wrench

2.4 External Grounding Connection



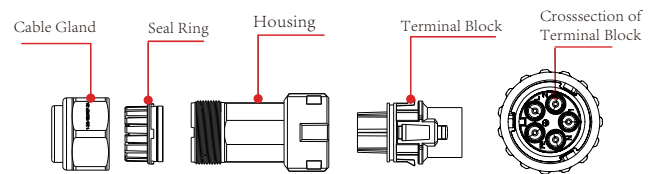
- 1) Crimp a grounding cable to the OT terminal
- 2) Insert a fastening screw into the OT terminal
- 3) Insert them to the grounding port of the inverter
- 4) Screw them together (the torque is 2 N.m.).

- 1) Strip off the DC Cable for a little length.
- 2) Insert the wire into the Crimp Contact and crimp them with an electrical crimp-er.

- 3) Thread the cable through the Cable Gland, insert it into the insulator, and gently pull back the cable to ensure firm connection.
- 4) Then screw up the Cable Gland to the Insulator.

3.3 AC Side Connection of Inverters

- 1) Strip off the insulation of AC cable about 8 to 15 mm.
- 2) Thread the AC cable through the Cable Gland, Seal Ring and the Housing.



- 4) Connect the Cable Gland, Seal Ring, Housing and Terminal Block together, a small click confirms secure connection.

- 5) Connect the AC connector to the inverter, a small click confirms connection.