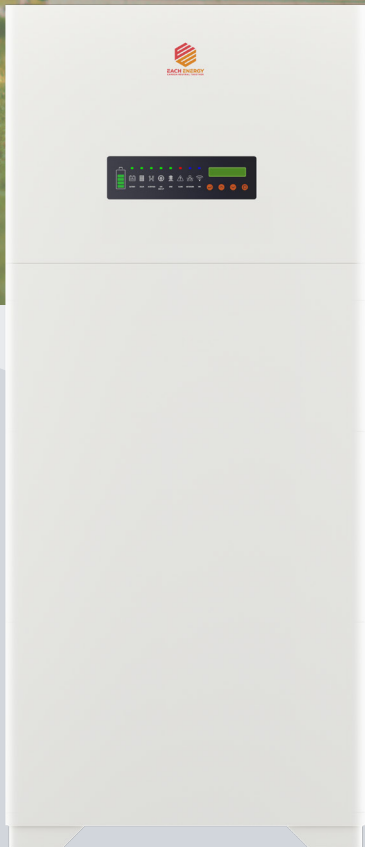


APHS3K/3.6K/4K/ 4.6K/5K/6K/8K-M All In One · ESS



Talented

- 98.6% max. efficiency
- 80-500V super wide battery voltage range
- Within 10ms UPS-level switching
- Max. 18A PV input current
- 100% full load charge and discharge

Powerful

- 50A/60A charging and discharging current, suitable to middle voltage and high voltage batteries
- 200% Recommended max. PV power input
- Max. 200% back-up output overloading @60s
- Parallel operation capacity with max. 6 units

Friendly

- Smaller cable size and conduit
- Longevity and almost no derating at high temperature
- Wifi and bluetooth connection
- IP66 protection degree

18A

PV Input Current

10ms

UPS-level Switching

50/60A

Charging&Discharging

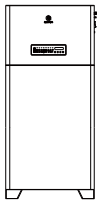
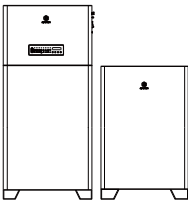
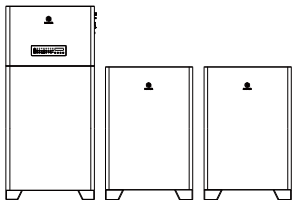
160%-200%

Back-up overloading@60S

| Model | APHS3K | APHS3.6K | APHS4K | APHS4.6K | APHS5K | APHS6K | APHS8K |
|---|--------|----------|--------|---------------------|--------|--------|--------|
| Inverter Data | | | | | | | |
| Battery type | | | | Li-ion | | | |
| Battery voltage range(V) | | | | 80~500 | | | |
| Max. charging/discharging current(A) | | | | 60/60 | | | |
| Rated charging current/discharging current(A) | | | | 50/50 | | | |
| Recommended max. PV power(KW) | 6 | 7.2 | 8 | 9.2 | 10 | 12 | 16 |
| Max. input voltage(V) | | | | 600 | | | |
| MPPT voltage range(V) | | | | 80~580 | | | |
| Max. input current(A) | | | | 18/36 | | | |
| Max. short circuit current(A) | | | | 22/44 | | | |
| MPPT number | | | | 2 | | | |
| Strings number per MPPT | | | | 1/2 | | | |
| Rated grid voltage/range(V) (L/N/PE) | | | | 220/230/240/180~300 | | | |
| Rated output power(KW) | 3 | 3.6 | 4 | 4.6 | 5 | 6 | 8 |
| Rated/Max. apparent output power(KVA) | 3/3 | 3.6/3.6 | 4/4 | 4.6/4.6 | 5/5 | 6/6 | 8/8 |
| Rated grid output current(A) | 13.0 | 15.7 | 17.4 | 20 | 21.7 | 26.1 | 34.8 |
| Max. output current(A) | 13.0 | 15.7 | 17.4 | 20 | 21.7 | 26.1 | 34.8 |
| Peak apparent output power(KW), for 60S | 6 | 7.2 | 8 | 8 | 8 | 9 | 9.6 |
| Back-Up/UPS switch time(ms) | | | | <10 | | | |
| Rated frequency(Hz) | | | | 50/60 | | | |
| Max. efficiency | | | | 98.6% | | | |
| EU efficiency | | | | 98.1% | | | |
| Topology | | | | Transformerless | | | |
| Dimensions(mm) (W*H*D) | | | | 630*450*178 | | | |
| Weight(Kg) | | | | 30 | | | |

| General Data | | | | | | | |
|-------------------------------------|---|--|--|-----------|--|--|--|
| Shell material | Aluminium alloy | | | | | | |
| Operating ambient temperature range | -25~60 C | | | | | | |
| Ingress protection | IP66 | | | | | | |
| Cooling concept | Natural convection | | | Smart fan | | | |
| Max. operation altitude(m) | 3000 | | | | | | |
| Grid connection standard | AS/NZS 4777.2:2020, EN50549-1:2019, G98:2021, G99:2021, NC RFG, PTPIREE, ABNT NBR 16149, ABNT NBR 16150, VDE-AR-N 4105, CEI0-21, RD1699 | | | | | | |
| Safety/EMC standard | IEC-62109-1/-2, IEC-62477-1/-2, IEC-61000-6-1/-2/-3, NB/T32004 | | | | | | |
| DC connection | MC4/D4 | | | | | | |
| Communications | Wifi, 4G, GPRS, Bluetooth, RS485, CAN | | | | | | |

| Battery Data(M10) | | | | | | | |
|--------------------------|--------------|--|--|--|--|--|--|
| Model(KWh) | 9.6 | | | | | | |
| Battery type | LFP | | | | | | |
| Nominal voltage/range(V) | 96/(80~103) | | | | | | |
| Capacity(Ah) | 100 | | | | | | |
| Depth of discharge(DoD) | 95% | | | | | | |
| Dimension(W*H*D)(mm) | 630*1010*178 | | | | | | |
| Weight(Kg) | 115 | | | | | | |

| System Parameter | M10 | M20 | M30 |
|------------------------------------|---|--|---|
| System schematic |  |  |  |
| Qty. of batteries | 1 | 2 | 3 |
| Charge/Discharge temperature range | Charge: 0°C to 53°C/Discharge: -10°C to 53°C | | |
| Cycle life | 6000 | | |
| Nominal voltage/range(V) | 96/80~103 | | |
| Battery total energy(KWh) | 9.6 | 19.2 | 28.8 |
| Dimension(W*H*D) | 630*1460*178 | Module1: 630*1460*178 Module2: 630*1010*178 | Module1: 630*1460*178 Module2: 630*1010*178(x2) |
| Weight(Kg) | 145 | Module1: 145 Module2: 115 | Module1: 145 Module2: 115(x2) |

*Parallel operation capacity with max. 4 units